

PRODUCTS

Framery Q

Two is company, four is a party – everyone fits



Framery Q office pod is a multifunctional, soundproof space for 1-4 people to have meetings, brainstorming sessions and important one-on-one conversations in private without disturbing the office – or the office disturbing you.



Framery Q Meeting Maggie

Comfortable privacy for longer meetings

Suitable for meetings, brainstorming and much more. Two Maggie Sofas are always included, and you can choose them with a curved or straight backrest. There are also three different table options available.

- Frame, exterior and sofa colors
- 2 Maggie Sofas
- 3 Table options
- 3 Power sockets



Framery Q Working With PAL

For shared videoconferences

A high table and handy bar stools make the Working With PAL interior layout very efficient for short-term sessions. The shape of the desk is suitable for teamwork for two, private sessions or video conferences.

- Frame and exterior colors
- 2 PAL stools (black or white)
- 2 Table height options
- Standard 90 cm / 35.4 in
- High 110 cm / 43.3 in
- 2 Power sockets



Framery Q Flow

Heads-down work

Designed for uninterrupted heads-down work. It comes with an adjustable electric table that allows you to change your working position from sit-to-stand in a matter of seconds. The Flow has plenty of space inside for a chair and even an extra stool, making it possible to invite your colleague in for a chat or a shared videoconference.

- Frame and exterior colors
- Adjustable electric table



Framery Q Flip n' Fold

For easy access

One of the more convenient and flexible interior alternatives for the Framery Q office pod. Low doorstep, a wider door with an automatic opener, folding chairs and table enable many different meeting arrangements and easy access with a wheelchair.

- Frame and exterior colors
- Accessible
- Automatic door opener

Framery Q



COLORS

Exterior

Frame

Table

--	--

Working With PAL stool

Maggie Sofa upholstery

MATERIALS

Exterior

Painted sheet metal or brushed stainless steel

Frames and table

Formica laminate on birch plywood with varnish trim

Carpet

Anti-static and stain resistant low loop pile carpet for the floor

Walls and roof

A sandwich element of sheet metal, birch plywood, recycled acoustic foam and acoustic felt

Glass

Sound control laminated glass (5 + 5 mm)

Optional movability kit

Includes castors that are installed to the bottom of a pod for moving it.

SCREEN SPECIFICATIONS

Maximum display size 27". Maximum weight 15 kg / 33 lbs with flat VESA 75 × 75 or VESA 100 × 100 mounting surface. Screen not included.

Screen bracket

Framery Q screen bracket is located on the center of the back glass.

Turnable monitor arm

Turnable monitor arm is attached to a screen bracket on the back glass. It allows two users to sit on one side of a Framery Q, turn a display towards them, and both be visible on a camera mounted on it. Compatible with Framery Q Meeting Maggie and Working with PAL 90.

OTHER

Ventilation

Total airflow is 66 l/s, 140 CFM (237,6 m³/h) On standby mode the fans are working on 25 % of the maximum power.

Acoustics

Speech level reduction ($D_{s,A}$) according to ISO 23351-1 testing method: 29 dB

MEASUREMENTS

FRAMERY Q

Exterior

222 cm × 220 cm × 120 cm (height, width, depth)
7.3 ft × 7.2 ft × 3.6 ft (height, width, depth)

Interior

200 cm × 200 cm × 110 cm (height, width, depth)
6.5 ft × 6.5 ft × 3.6 ft (height, width, depth)

Doorway

86 cm wide / 2.8 ft wide

Turnable table (Meeting Maggie)

70 cm × 71 cm × 53 cm (height, width, depth)
2.2 ft × 2.3 ft × 1.7 ft (height, width, depth)

Oval table (Meeting Maggie)

70 cm × 71 cm × 68 cm (height, width, depth)
2.2 ft × 2.3 ft × 2.2 ft (height, width, depth)

Full width table (Meeting Maggie & Working With PAL)

200 cm × 60 cm (width, depth)
6.5 ft × 1.9 ft (width, depth)

Adjustable electric table (Flow)

100 cm × 56 cm (width, depth) / 3.2 ft × 1.8 ft (width, depth)
Height adjustment: 65 cm - 125 cm / 2.1 ft - 4.1 ft

PAL 90 stool

65 cm (height) / 2.1 ft (height)

PAL 110 stool

80 cm (height) / 2.6 ft (height)

Weight

630 kg / 1389 lb

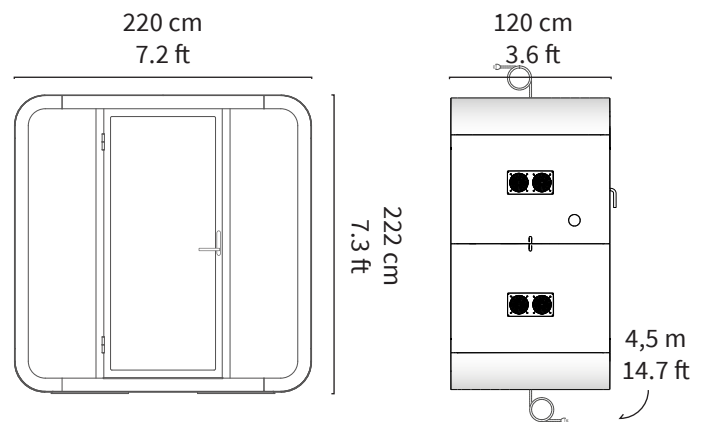
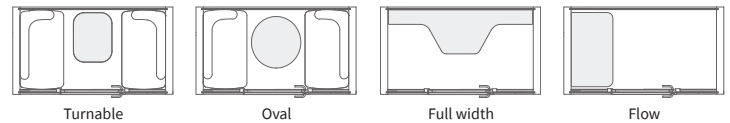
Ventilation space

(Minimum recommended space for air to circulate)

Sides: 5 cm / 1,9 in

Above: 15 cm / 5,9 in

Power cord can be led out of the bottom corners of the pod.
The cord length outside the pods is 4,5 m / 14.7 ft



POWER

FRAMERY Q

Framery Q power consumption

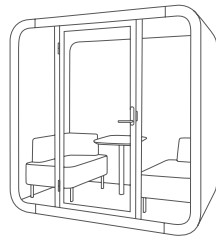
20 W while in use (Standard configuration)

- LED lights: 11 W

- Fans in total: 8,6 W

2,1 W in standby mode

Input: 100–240 VAC, 8.0 A, 50–60 Hz



Adjustable electric table (Flow) power consumption

149 W total (when table height is adjusted)

Regular table outlets

2 power sockets, USB-A+C

Optional: Data Cartridge with two LAN ports

Output values

Output VAC (power socket): 100–240 VAC, 6,6 A, 50–60 Hz

Output USB (TUF) charging:

Maximum combined output of 5 A at 5 VDC (25 W)

Lighting

LED light: 4500 K and 300 lux

All electric components can be changed if there is a malfunction. Power consumption is a constant value that is determined by the power usage of the pods' internal components (electric unit, motion detector, light and fans). Framery's products can be plugged into a wall socket. The pods have their own power supplies that give 24 V DC to the lights and 12 V DC to the fans. The lights and fans are operated by a motion detector. Inside the pods, there are country-specific power outlets for charging mobile devices.

SPECIFICATIONS

FRAMERY Q FLIP N' FOLD

Weight

700 kg / 1543 lb

Exterior

221 cm × 220 cm × 120 cm (height, width, depth)
7.2 ft × 7.2 ft × 3.9 ft (height, width, depth)

Interior

210 cm × 200 cm × 110 cm (height, width, depth)
6.8 ft × 6.5 ft × 3.6 ft (height, width, depth)

Doorway

Clear opening width 91,5 cm / 3 ft

Wheelchair platform

99 cm × 60 cm (width, depth)

3.25 ft × 1.9 ft (width, depth)

Framery Q Flip n' Fold features ADA 2010 compliant T-shaped turning space and threshold.

Power

Power consumption

23 W while in use (Standard configuration)

- LED lights: 13,5 W

- Fans in total: 8,6 W

2 power sockets, USB-A+C

